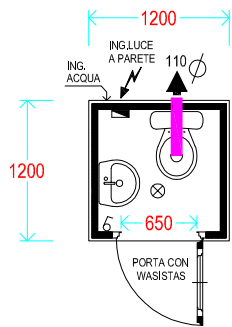
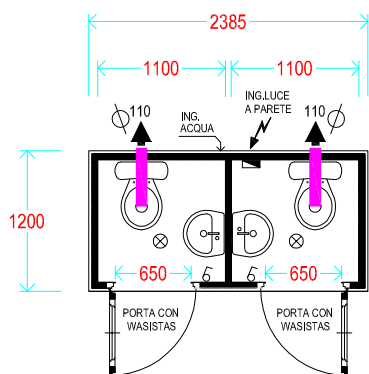


A15 **=SPECIAL= / CABINA SERVIZI**



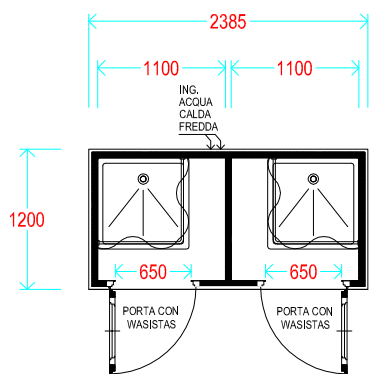
mod. **A1V**

Alt. Int. mm. 2.200 (est. 2.552)
Alt. Int. mm. 2.400 (est. 2.752)



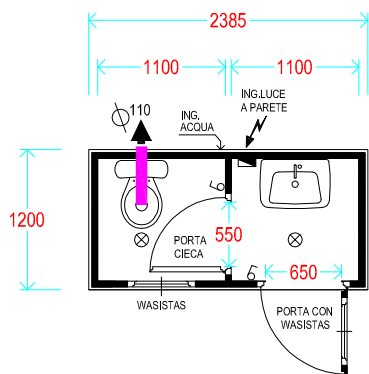
mod. **A3V**

Alt. Int. mm. 2.200 (est. 2.552)
Alt. Int. mm. 2.400 (est. 2.752)



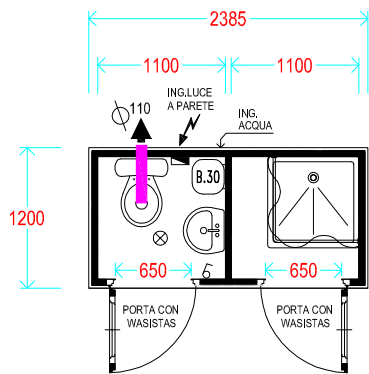
mod. **A3D**

Alt. Int. mm. 2.200 (est. 2.552)
Alt. Int. mm. 2.400 (est. 2.752)



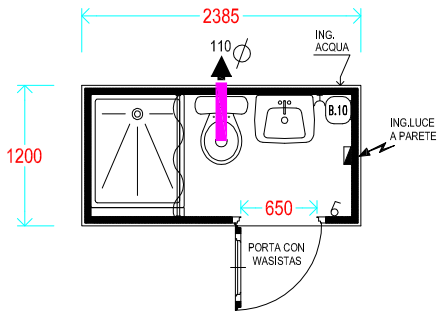
mod. **A4V**

Alt. Int. mm. 2.200 (est. 2.552)
Alt. Int. mm. 2.400 (est. 2.752)



mod. **A5V**

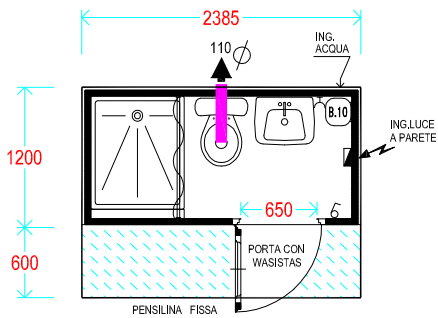
Alt. Int. mm. 2.200 (est. 2.552)
Alt. Int. mm. 2.400 (est. 2.752)



mod. **A5V-C**

Alt. Int. mm. 2.200 (est. 2.552)

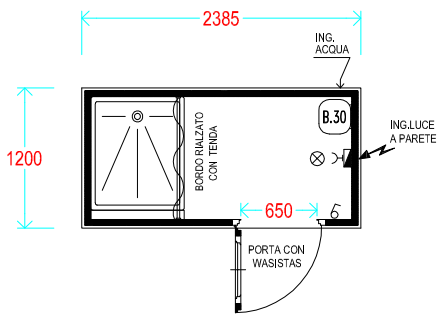
Alt. Int. mm. 2.400 (est. 2.752)



mod. **A5V-C**
PENSILINA

Alt. Int. mm. 2.200 (est. 2.552)

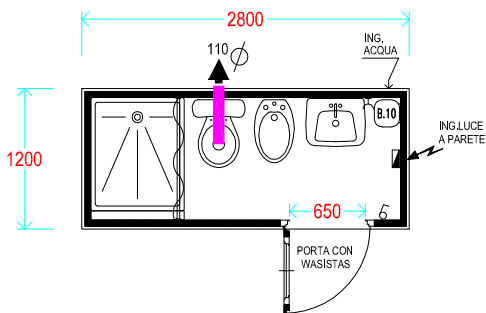
Alt. Int. mm. 2.400 (est. 2.752)



mod. **A5- Doccia**

Alt. Int. mm. 2.200 (est. 2.552)

Alt. Int. mm. 2.400 (est. 2.752)



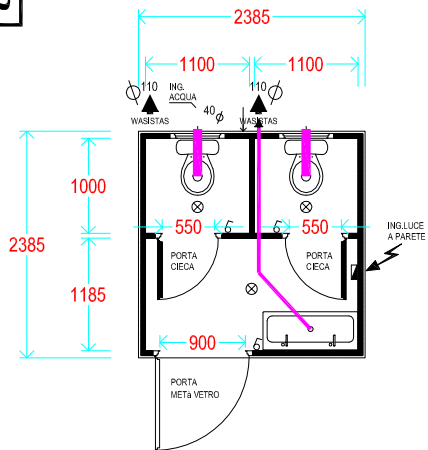
mod. **A5V-Bidet**

Alt. Int. mm. 2.200 (est. 2.552)

Alt. Int. mm. 2.400 (est. 2.752)

A15

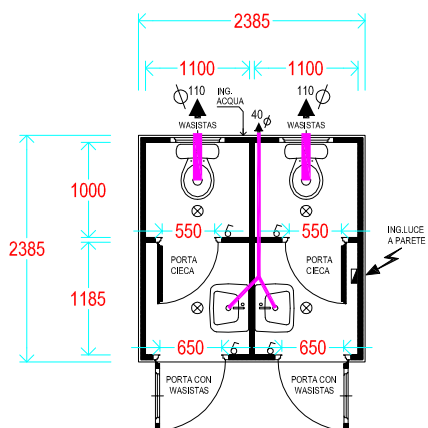
=SPECIAL= / CABINA SERVIZI



mod. **A6V**

Alt. Int. mm. 2.200 (est. 2.552)

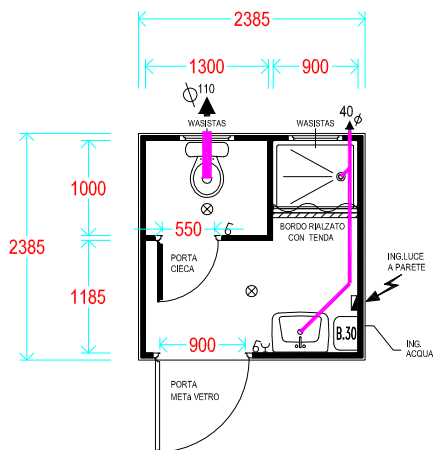
Alt. Int. mm. 2.400 (est. 2.752)



mod. **A7V**

Alt. Int. mm. 2.200 (est. 2.552)

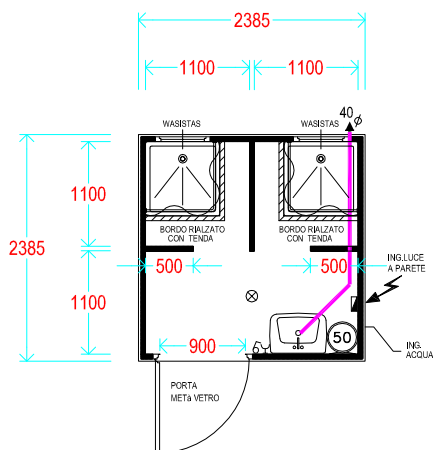
Alt. Int. mm. 2.400 (est. 2.752)



mod. **A8V**

Alt. Int. mm. 2.200 (est. 2.552)

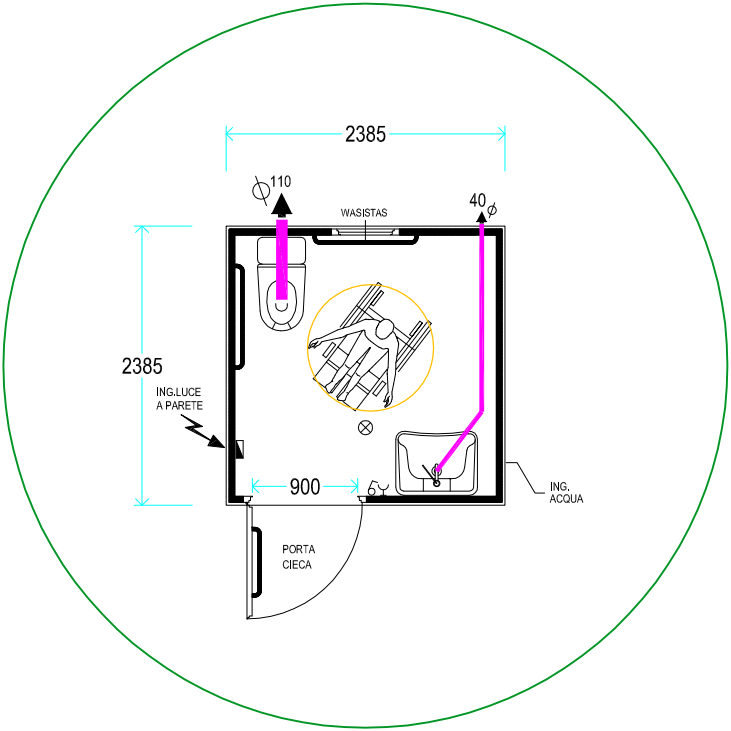
Alt. Int. mm. 2.400 (est. 2.752)



mod. **A9**

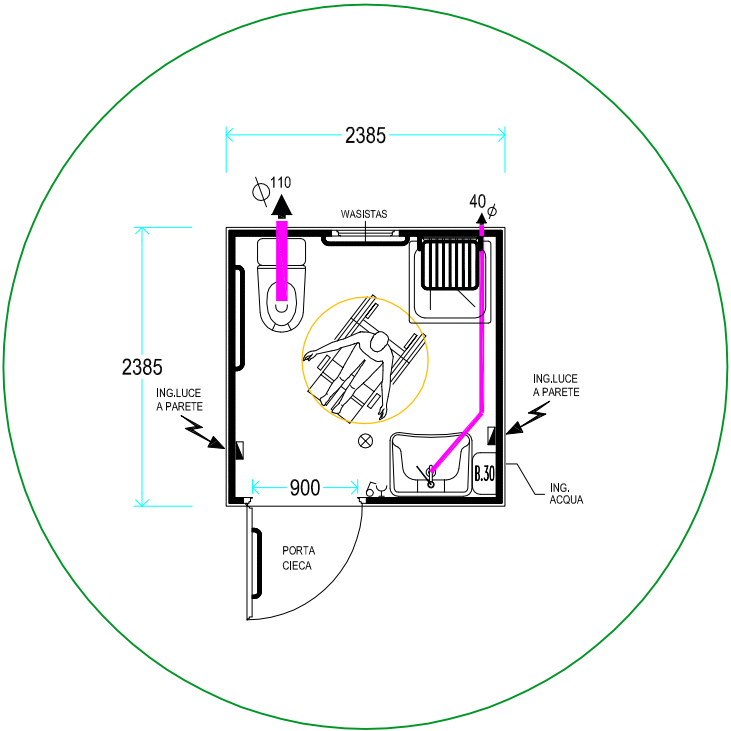
Alt. Int. mm. 2.200 (est. 2.552)

Alt. Int. mm. 2.400 (est. 2.752)



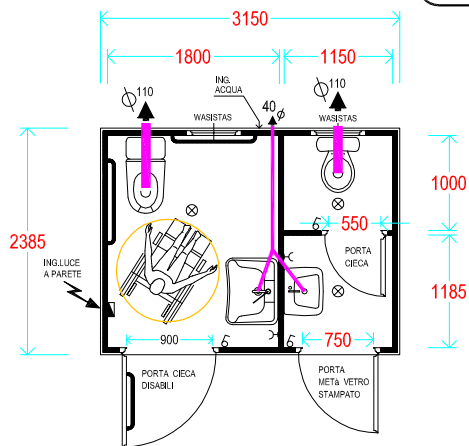
mod. **A-H**

Alt. Int. mm. 2.400 (est. 2.752)



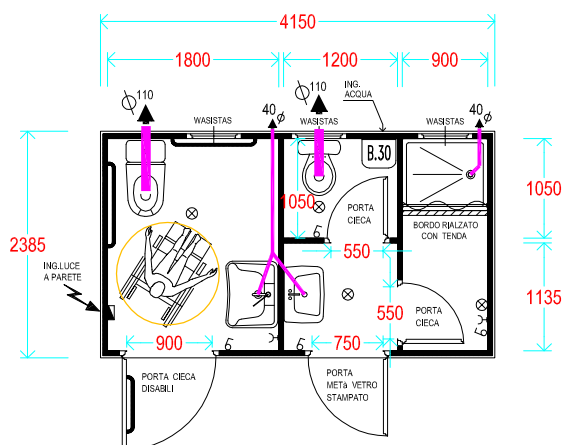
mod. **A-HD**

Alt. Int. mm. 2.400 (est. 2.752)



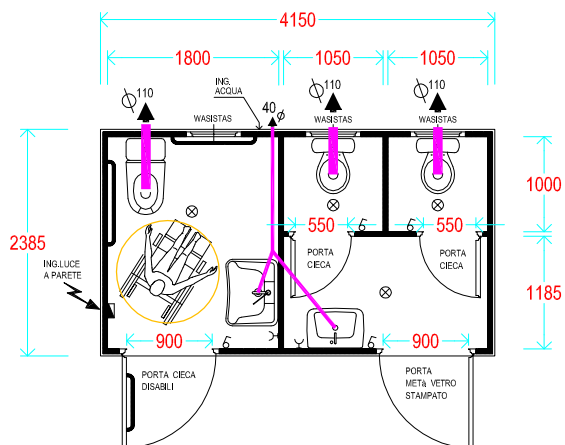
mod. **A-H2**

Alt. Int. mm. 2.400 (est. 2.672)



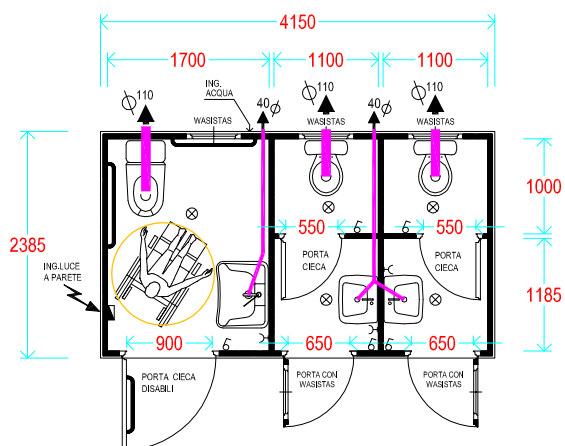
mod. **A-H2D**

Alt. Int. mm. 2.400 (est. 2.672)



mod. **A-H3**

Alt. Int. mm. 2.400 (est. 2.672)



mod. **A-H4**

Alt. Int. mm. 2.400 (est. 2.672)